

Gun Splitter Valve

309964C

Part No. 234026

7250 psi (50 Mpa, 500 bar) Maximum Working Pressure

The splitter valve allows you to use two spray guns with one proportioner. It can be used with one gun or two and provides for independent flushing of each gun while the other gun remains in use.



Important Safety Instructions

Read and follow warnings and instructions in your proportioner and other component manuals.

PROVEN QUALITY. LEADING TECHNOLOGY.

Installation

1. Connect the mixed material supply line (A) from the proportioner to the manifold paint inlet port. FIG. 1.
2. Connect a hose (B) between each manifold gun paint outlet and spray gun fluid inlet.
3. Connect a solvent supply hose (C) from the solvent supply to each manifold solvent inlet port.

Operation

Depending on which gun you want to supply paint to, open the paint valve for gun 1 (D) or gun 2 (E) or both valves.

To shut off paint supply to a gun, close its paint valve.

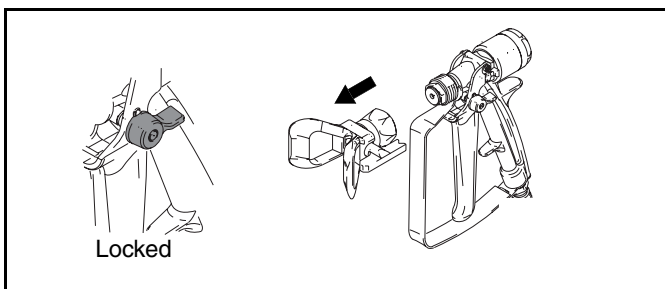
Flushing

WARNING



To reduce the risk of injection, which is a serious injury and can result in amputation, follow the Pressure Relief Procedure in your proportioner manual when you stop spraying and before cleaning, checking, servicing, or transporting equipment.

1. Turn off proportioner. Follow Pressure Relief Procedure in your proportioner manual. Lock trigger lock. Remove spray tip.

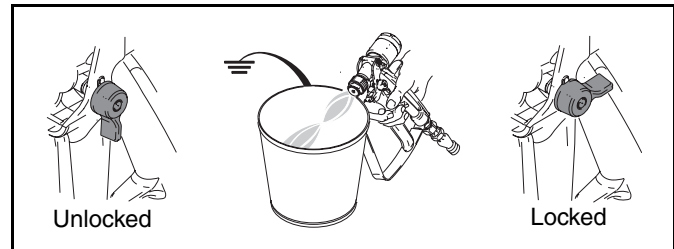


2. Close the paint valve (D or E) for the gun to be flushed. FIG. 1.

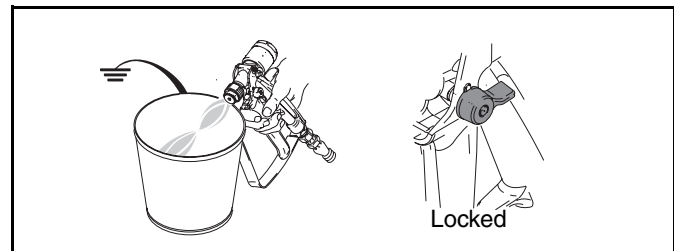
WARNING

To avoid splashing, use the lowest possible pressure when flushing.

3. Turn on solvent supply and set the pressure as needed for flushing.
4. Open the gun's solvent flush valve (F or G). FIG. 1.
5. Unlock trigger lock and trigger gun into a grounded pail. Flush out mixed material until clean solvent dispenses. Lock trigger lock.



6. Shut off solvent pump and close solvent valve (F or G). FIG. 1.
7. Follow Pressure Relief Procedure, in your proportioner manual. Lock trigger lock.



8. Use the same procedure to flush the second gun.
9. **Final Flush** must be done from the proportioner's mix manifold through the gun splitter to the gun. Follow Flushing procedure in your proportioner manual.

Fitting Sizes

Proportioner; 3/8 npt(m)

Paint Inlet Port; 3/8-18 npt(f)

Gun Paint Outlet; 1/4-18 npt(f)

Solvent Inlet Port; 1/4-18 npt(f)

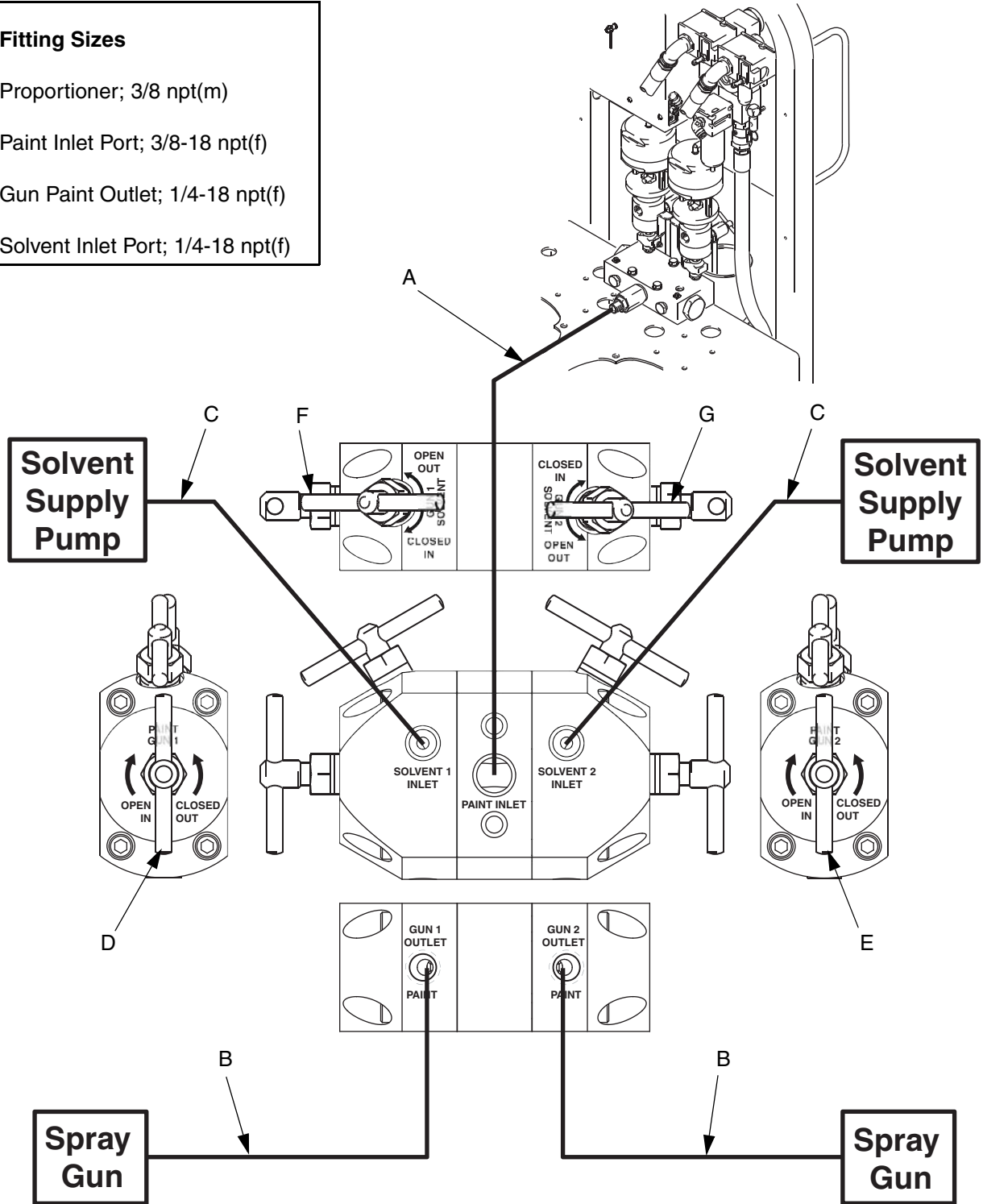
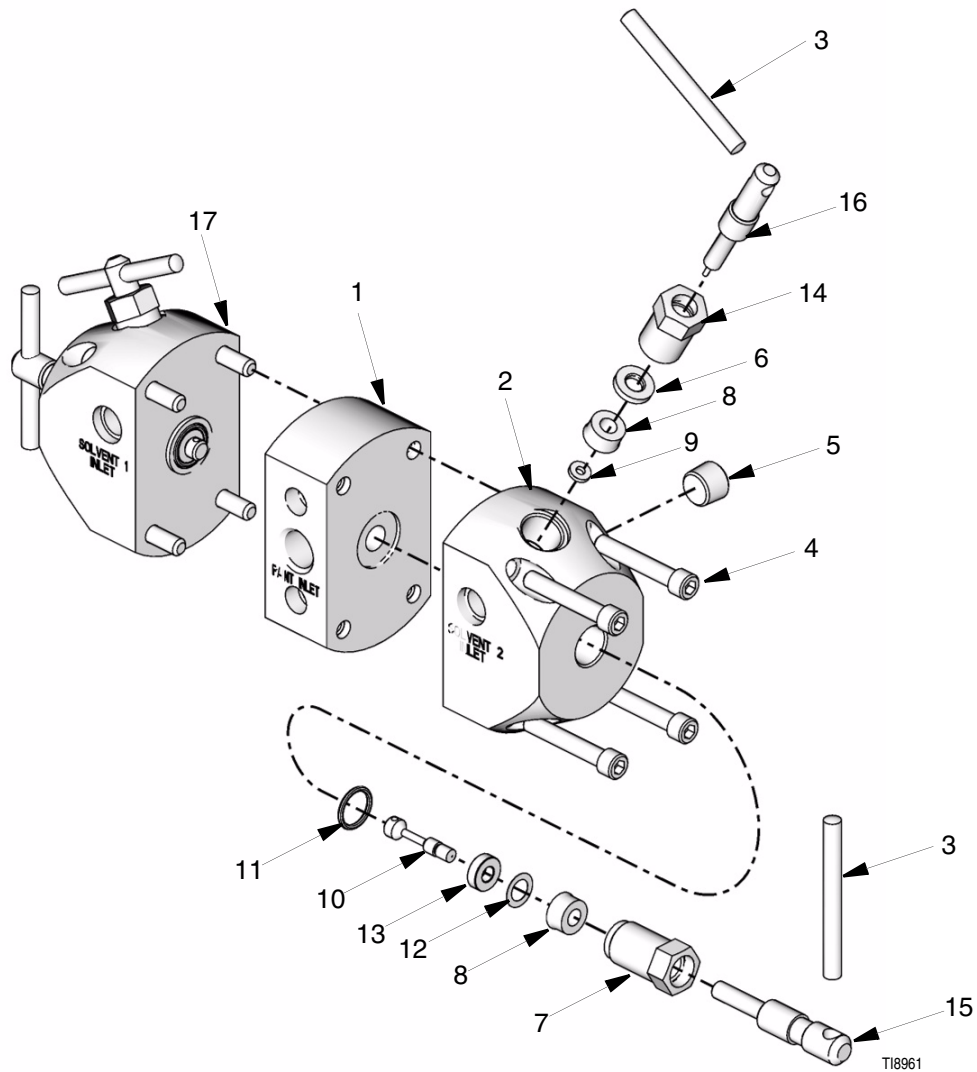


FIG. 1

Parts



Ref	Part	Description'	Qty	Ref	Part	Description'	Qty
1	15A959	MANIFOLD, splitter, gun	1	10	626062	NEEDLE, 2K2 sst hardened	2
2	15C756	HOUSING, splitter, gun 2	1	11	104319	PACKING, o-ring	2
3	102915	PIN, drive	4	12	185467	SEAT, valve	2
4	596936	SCREW, cap socket hd 1/4-20 x 1.5	8	13	171860	GASKET, seat	2
5	100721	PLUG, pipe	2	14	15B587	HOUSING, stem, solvent	2
6	15B622	SPACER, packing, splitter	2	15	15B086	STEM, paint	2
7	15B085	HOUSING, stem	2	16	15B087	STEM, solvent	2
8	551190	SEAL, u-cup polymt 1/4, 1/2, 1/4	4	17	15C755	HOUSING, splitter, gun 1	1
9	183875	SEAT, valve	2				



A series of horizontal lines for writing, consisting of 25 evenly spaced lines that span the width of the page.

Graco Standard Warranty

Graco warrants all equipment referenced in this document which is manufactured by Graco and bearing its name to be free from defects in material and workmanship on the date of sale to the original purchaser for use. With the exception of any special, extended, or limited warranty published by Graco, Graco will, for a period of twelve months from the date of sale, repair or replace any part of the equipment determined by Graco to be defective. This warranty applies only when the equipment is installed, operated and maintained in accordance with Graco's written recommendations.

This warranty does not cover, and Graco shall not be liable for general wear and tear, or any malfunction, damage or wear caused by faulty installation, misapplication, abrasion, corrosion, inadequate or improper maintenance, negligence, accident, tampering, or substitution of non-Graco component parts. Nor shall Graco be liable for malfunction, damage or wear caused by the incompatibility of Graco equipment with structures, accessories, equipment or materials not supplied by Graco, or the improper design, manufacture, installation, operation or maintenance of structures, accessories, equipment or materials not supplied by Graco.

This warranty is conditioned upon the prepaid return of the equipment claimed to be defective to an authorized Graco distributor for verification of the claimed defect. If the claimed defect is verified, Graco will repair or replace free of charge any defective parts. The equipment will be returned to the original purchaser transportation prepaid. If inspection of the equipment does not disclose any defect in material or workmanship, repairs will be made at a reasonable charge, which charges may include the costs of parts, labor, and transportation.

THIS WARRANTY IS EXCLUSIVE, AND IS IN LIEU OF ANY OTHER WARRANTIES, EXPRESS OR IMPLIED, INCLUDING BUT NOT LIMITED TO WARRANTY OF MERCHANTABILITY OR WARRANTY OF FITNESS FOR A PARTICULAR PURPOSE.

Graco's sole obligation and buyer's sole remedy for any breach of warranty shall be as set forth above. The buyer agrees that no other remedy (including, but not limited to, incidental or consequential damages for lost profits, lost sales, injury to person or property, or any other incidental or consequential loss) shall be available. Any action for breach of warranty must be brought within two (2) years of the date of sale.

GRACO MAKES NO WARRANTY, AND DISCLAIMS ALL IMPLIED WARRANTIES OF MERCHANTABILITY AND FITNESS FOR A PARTICULAR PURPOSE, IN CONNECTION WITH ACCESSORIES, EQUIPMENT, MATERIALS OR COMPONENTS SOLD BUT NOT MANUFACTURED BY GRACO. These items sold, but not manufactured by Graco (such as electric motors, switches, hose, etc.), are subject to the warranty, if any, of their manufacturer. Graco will provide purchaser with reasonable assistance in making any claim for breach of these warranties.

In no event will Graco be liable for indirect, incidental, special or consequential damages resulting from Graco supplying equipment hereunder, or the furnishing, performance, or use of any products or other goods sold hereto, whether due to a breach of contract, breach of warranty, the negligence of Graco, or otherwise.

FOR GRACO CANADA CUSTOMERS

The Parties acknowledge that they have required that the present document, as well as all documents, notices and legal proceedings entered into, given or instituted pursuant hereto or relating directly or indirectly hereto, be drawn up in English. Les parties reconnaissent avoir convenu que la rédaction du présente document sera en Anglais, ainsi que tous documents, avis et procédures judiciaires exécutés, donnés ou intentés, à la suite de ou en rapport, directement ou indirectement, avec les procédures concernées.

Graco Information

TO PLACE AN ORDER, contact your Graco distributor or call to identify the nearest distributor.

Phone: 612-623-6921 **or Toll Free:** 1-800-328-0211, **Fax:** 612-378-3505

All written and visual data contained in this document reflects the latest product information available at the time of publication.
Graco reserves the right to make changes at any time without notice.

This manual contains English. MM 309964

Graco Headquarters: Minneapolis
International Offices: Belgium, China, Japan, Korea

GRACO INC. P.O. BOX 1441 MINNEAPOLIS, MN 55440-1441
www.graco.com

08/2003 Revised 03/2007